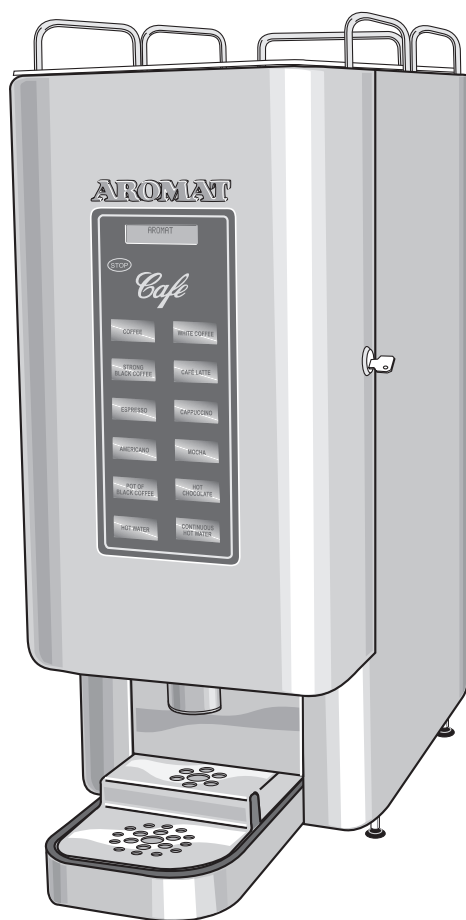
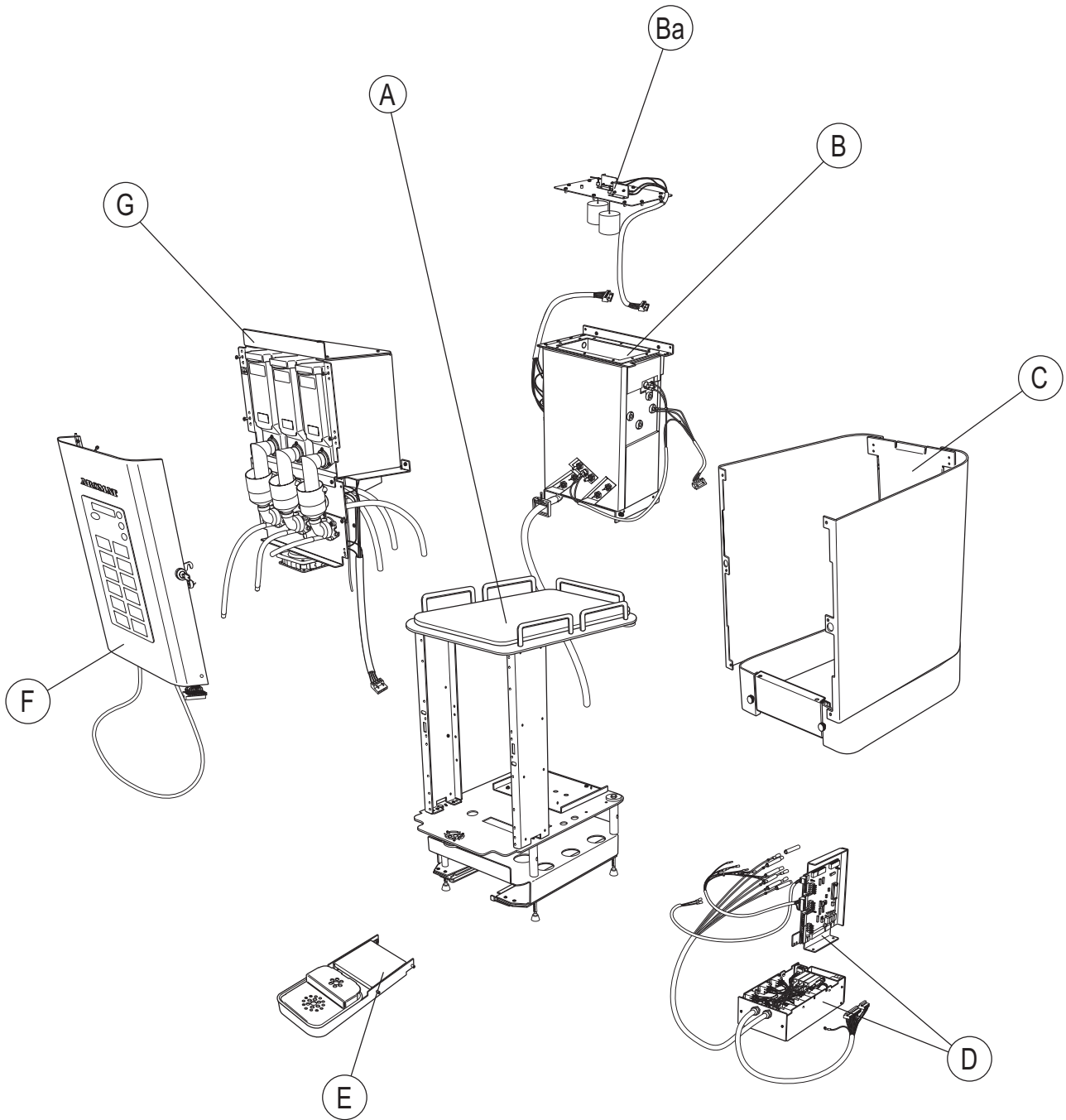


AROMAT *Cafe*



Type A03 v.1 Parts Catalogue

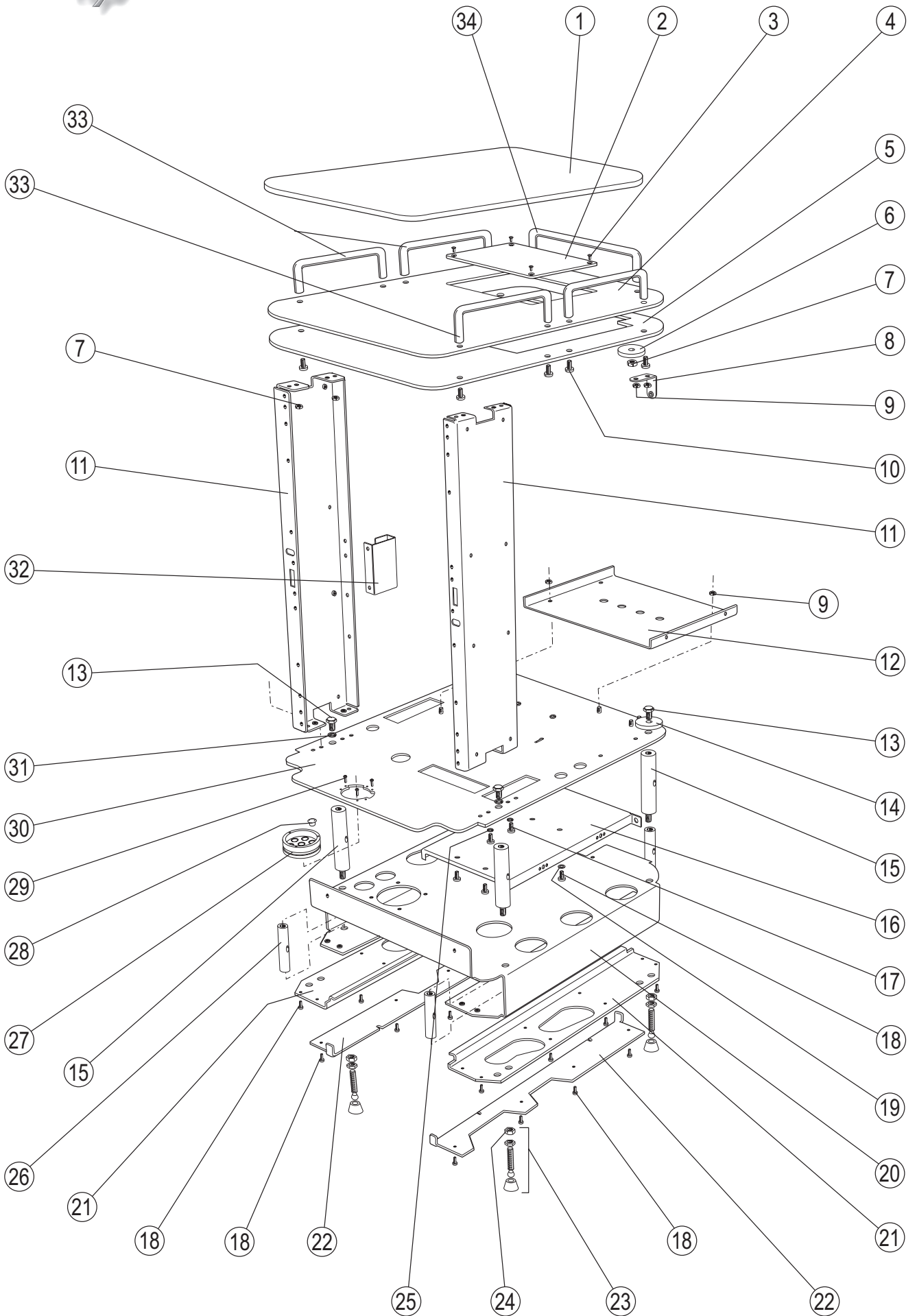


Type A03 v.1 - Contents

A Chassis Assembly	4-5
B Tank Assembly	6-7
Ba Tank Lid Assembly	8-9
C Casing	10-11
D Power Supply Unit and Control Board	12-13
E Cup Stand and Drip Tray Assembly	14-15
F Door Assembly	16-17
G Dispenser Assembly	18-19

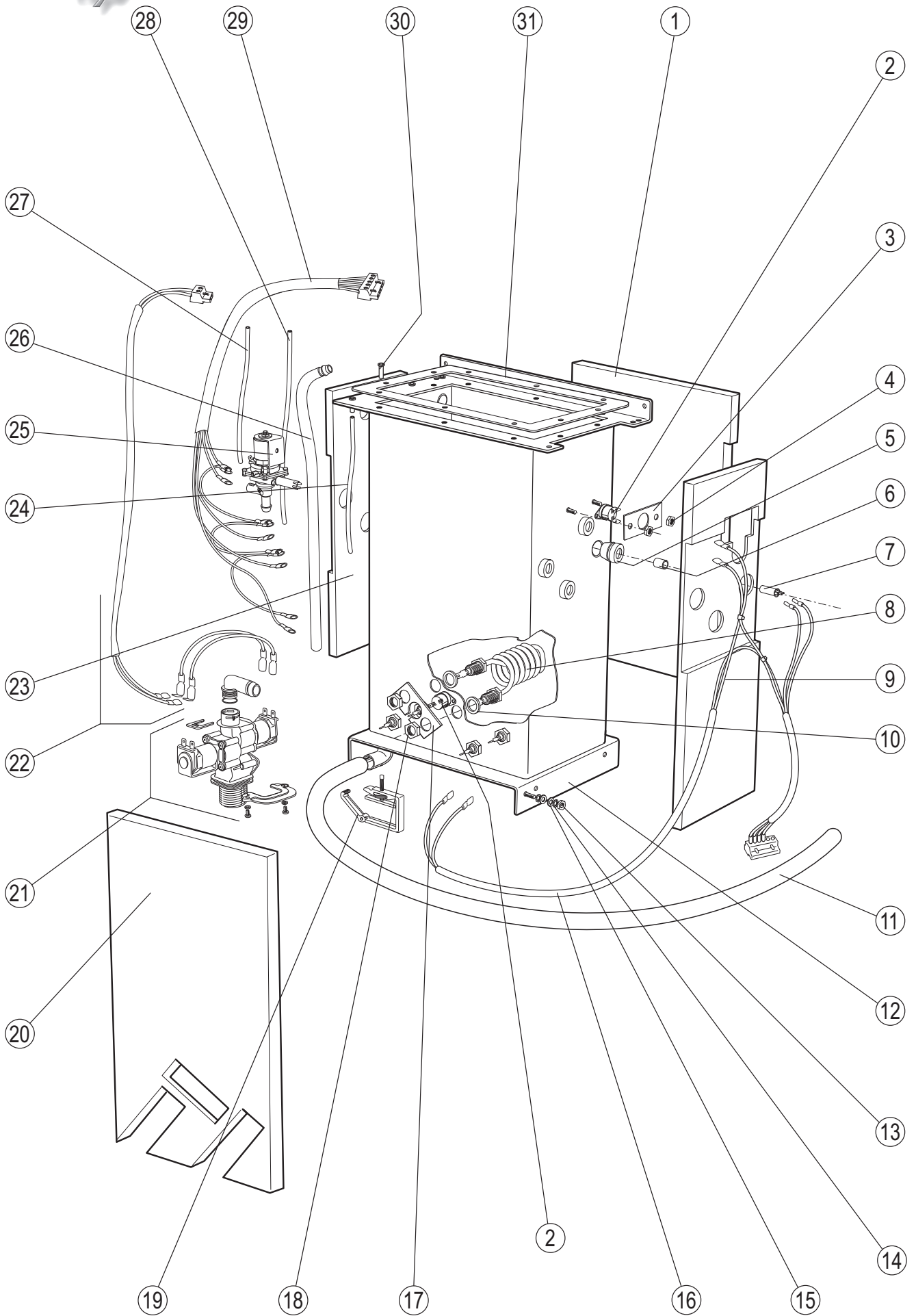
A Chassis Assembly - A03 v.1

Ref	Description	Part No.
1	Cup Tray - Orange (Available in Blue, Green, Yellow or Red to special order)	05-12360
2	Tank lid access panel (part of Top cover plate)	05-12534
3	Screw - M4 x 10mm Countersunk Pozi	10001-033
4	Top Cover plate	05-12332
5	Upper hinge plate	05-12617
6	Side panel upper spacer	05-12187
7	Nut - M5 st/stl	10010-005
8	Support bracket	05-12250
9	Nut - M4 st/stl	10010-004
10	Screw - M5 x 12mm panhead	10004-044
11	Frame channel	05-12137
12	Tank lower support bracket	05-12249
13	Set screw - M8 x 12mm st/stl	10006-005
14	Side panel lower spacer	05-12186
15	Frame pillar	05-12098
16	PSU Cover	05-12120
17	Set screw M5 x 8mm	10006-04
18	Screw - M4 x 6 mm st/stl	10004-031
19	Washer - M4 Shakeproof (external)	10017-72
20	Brace plate	05-12642
21	Drip tray guide plate	05-12308
22	Drip tray carrier plate	05-12309
23	Foot - Conical adjustable swivel - 50mm diameter non-swivel	10047-050 10047-307
24	Nut - M8 st/stl	10010-007
25	Washer - M5 Shakeproof (external)	10017-73
26	Brace spacer	05-12099
27	Nozzle - Brass	05-12369
28	Hole plug - black plastic	10016-004
29	Screw - M3 x 10mm panhead pozidrive	10004-023
30	Lower hinge/nozzle plate (Chassis)	05-12639
31	Washer - M8 spring	10017-43
32	Drain tube bracket	05-12379
33	Cup rail - 180 mm long	10047-313
34	Cup rail - 200 mm long	10047-314



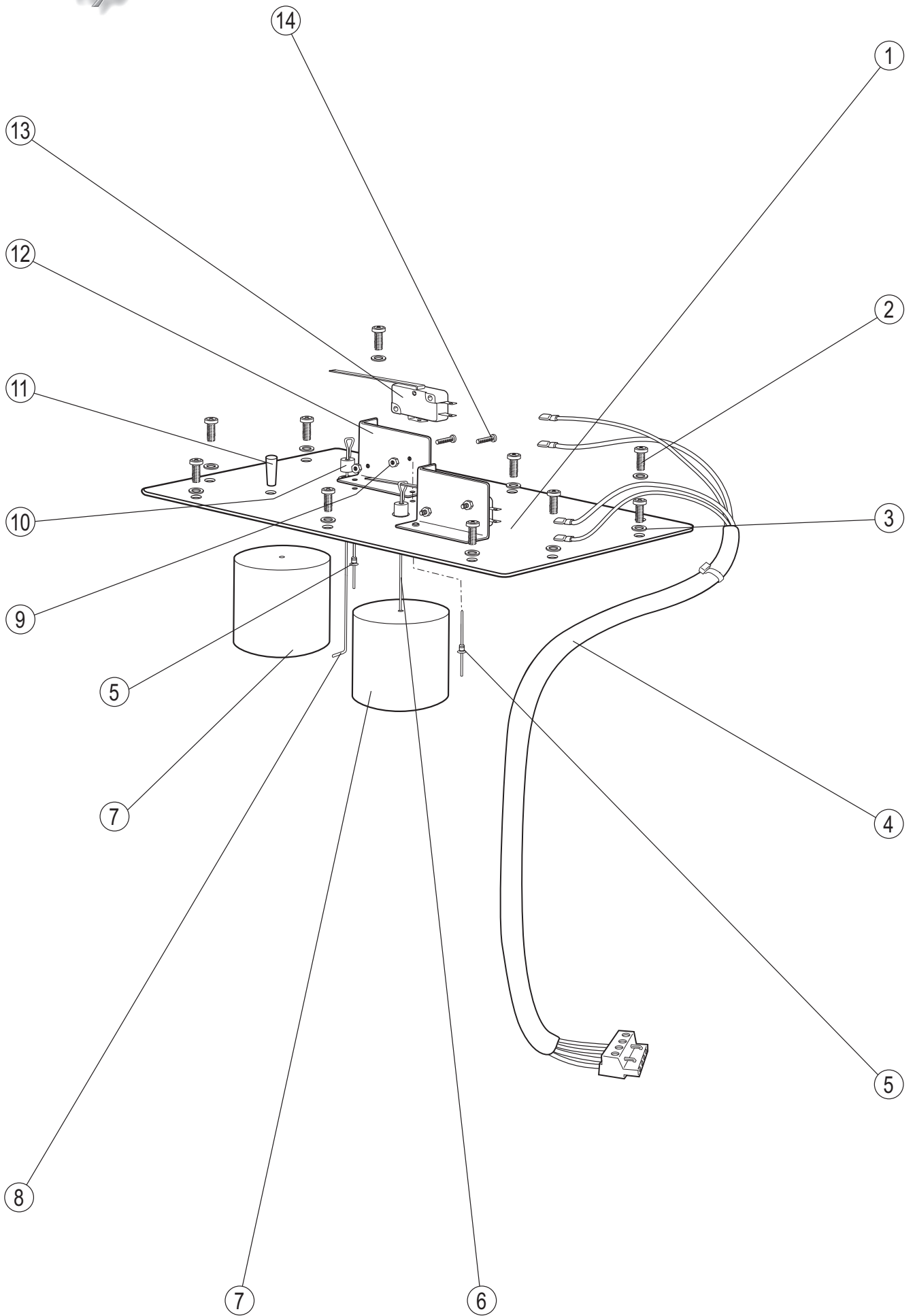
B Tank Assembly - A03 v.1

Ref	Description	Part No.
1	Insulation - Tank rear	05-12390
2	Thermostat - 95°C Preset	10027-03
3	Temperature sensor plate - Tank	05-4507
4	Nut - M4 Full st/stl	10010-004
5	Valve boiler seal - 8mm	10039-500
	Valve boiler seal - hole stopper	10039-520
6	Silicon sleeve 10mm x 2.5mm x15mm	10025-16
7	Thermistor assembly	10032-009
8	Heater Element 2750kW	10027-50
9	Insulation - Tank R/H side	05-12392
10	Washer - Heater element	10017-35
11	Drain tube	05-6081-1
12	Boiler (tank)	05-12248
13	Nut - M4 Full st/stl	10010-004
14	Washer - M4 Spring st/stl	10017-39
15	Washer - M4 Flat	10017-05
16	Thermostat loom	04-12490
17	Temp sensor plate (element)	05-4768
18	Nut for Element (supplied with heater element)	N/A
19	Hose clamp	10039-900
20	Insulation - Tank front	05-12389
21	Inlet valve	10039-324
22	Loom assembly - Inlet valve	04-12484
23	Insulation - Tank L/H side	05-12391
24	Silicone tube 4mm x 1mm x cut to length	10025-02
25	Valve - Boiler outlet valve 8mm	10039-930
26	Moulded tube with elbow	10025-050
27	Silicone tube 4mm x 1mm x cut to length	10025-02
28	Silicone tube 4mm x 1mm x cut to length	10025-02
29	Outlet valve loom - Version 1 models	04-12425
30	Nylon bush for breather tube	10016-210
31	Gasket - lid	05-12133



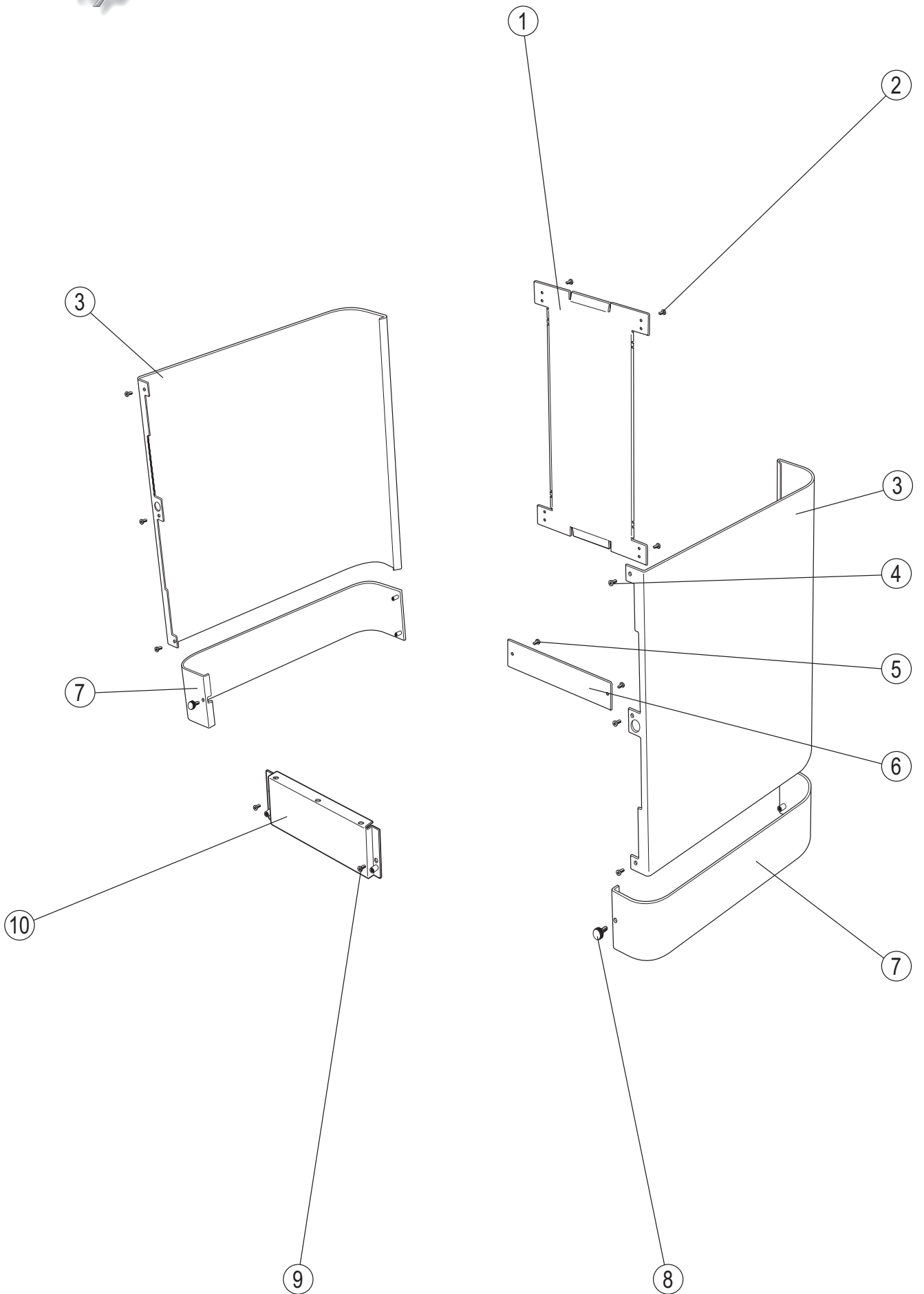
Ba Tank Lid Assembly - A03 v.1

Ref	Description	Part No.
1	Water Tank lid plate	06-12535
2	Screw - M4 x 8mm Panhead Pozidrive st/stl	10004-032
3	Washer - M4 red fibre	10017-28
4	Tank lid wiring loom (version 1)	04-12489
5	Rivet A2 St/Stl 3.2 x 6 sealed	10046-010
6	Float rod - Long (149mm)	05-5092-2
7	Float	05-4618
8	Float rod - Short (115mm)	05-5092-1
9	Nut - M3 Full hex stainless steel	10010-003
10	Steam collar	05-4619
11	Silicone stopper - No.6	10026-02
12	Microswitch bracket	05-4616
13	Microswitch - 150 deg C	10037-330
14	Screw - M3 x 20mm Panhead Pozidrive st/stl	10004-026



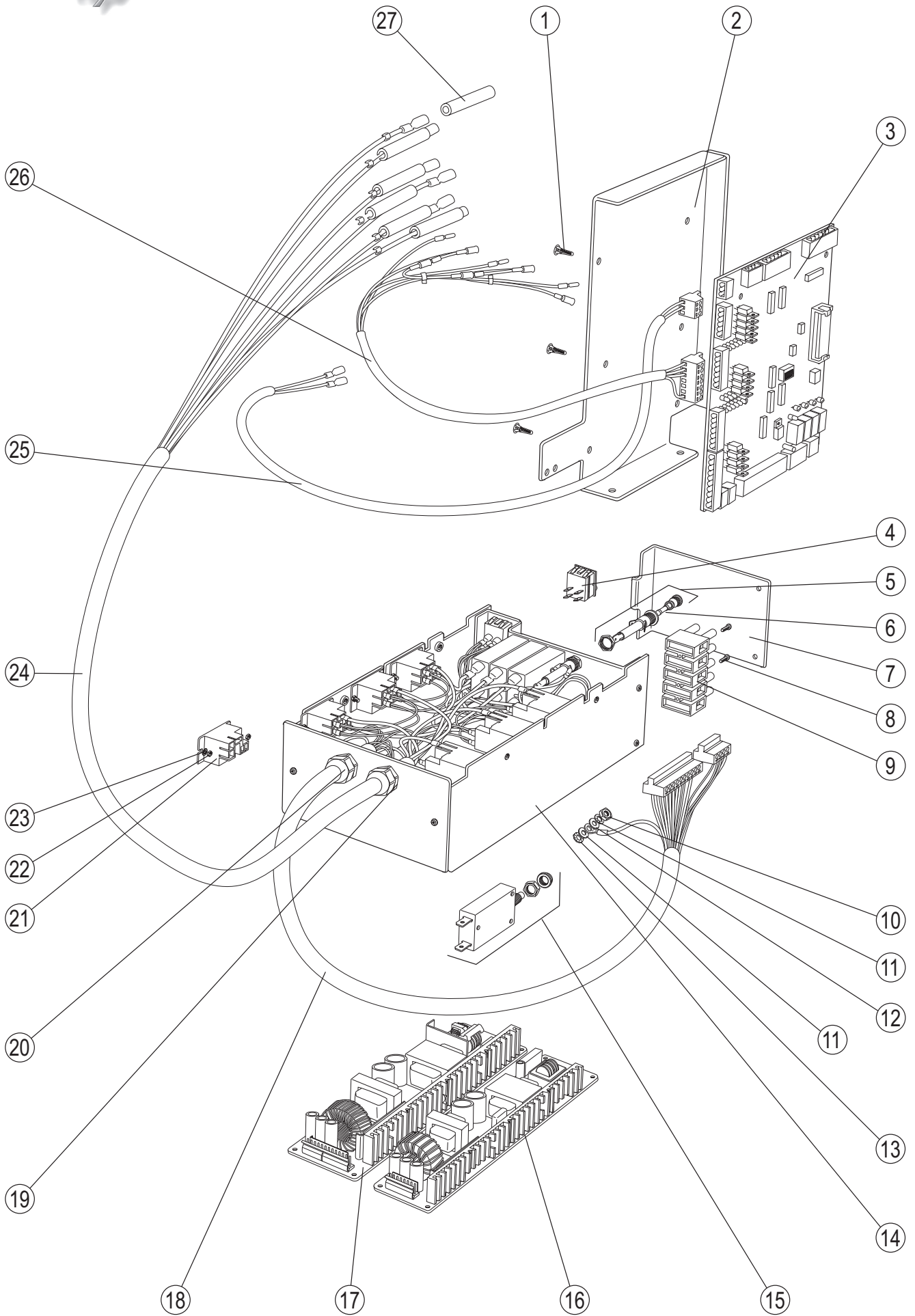
C Casing - A03 v.1

Ref	Description	Part No.
1	Back panel	05-12123
2	M4 x 8mm Screw Pozi Pan S/S	10004-032
3	Side panel	05-12125
4	M4 x 8mm Screw Pozi Pan S/S	10004-032
5	M4 x 8mm Screw Pozi Pan S/S	10004-032
6	Lower rear panel	05-12095
7	Installation side panel	05-12307
8	Knurled knob - M5 x 20mm	10024-012
9	M4 x 8mm Screw Pozi Pan S/S	10004-032
10	Lower front panel	05-12324



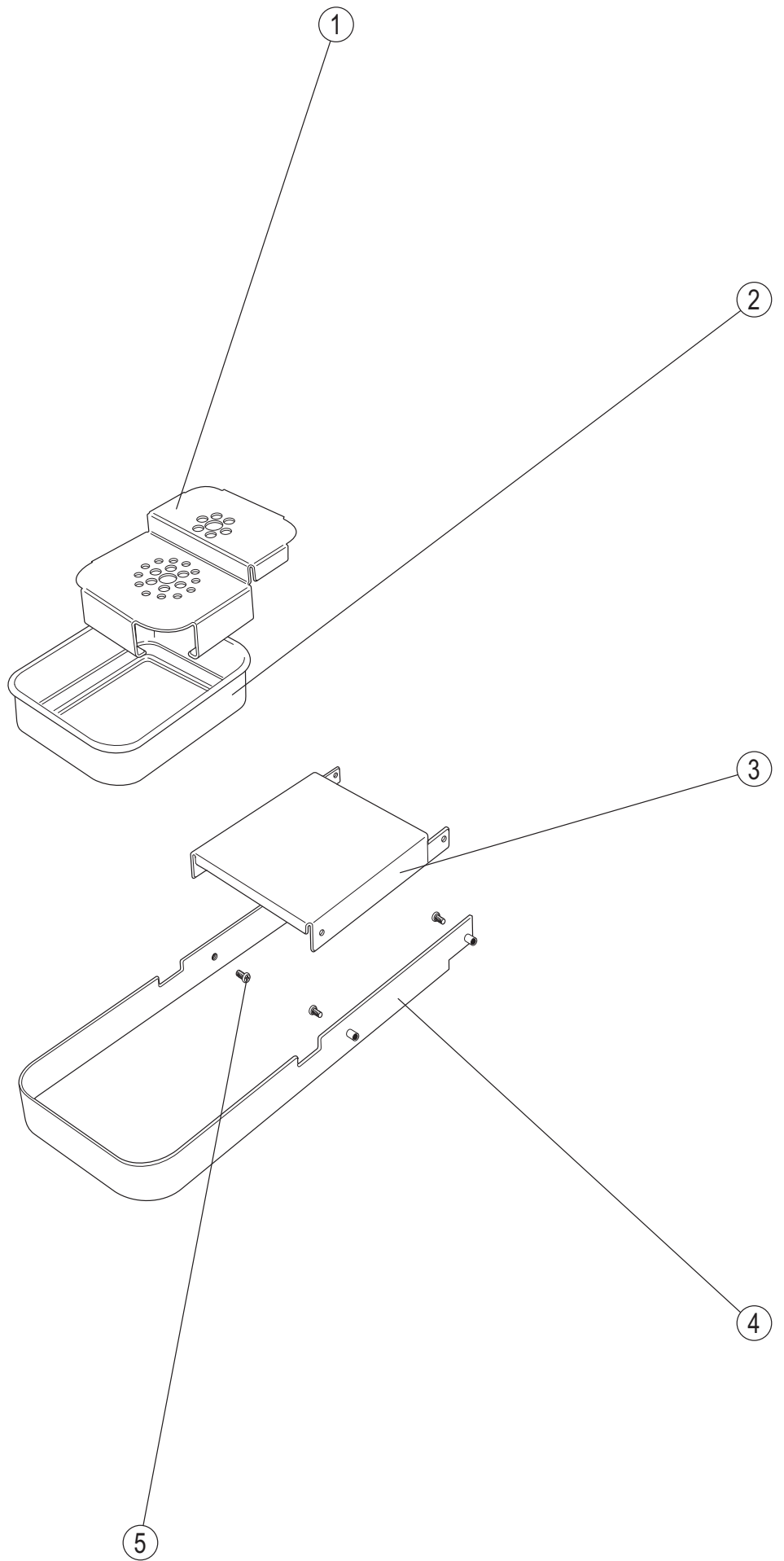
D Power Supply Unit and Control Board - A03 v.1

Ref	Description	Part No.
1	PCB Support 6.4mm	10016-003
2	Control PCB plate	05-12365
3	Control PCB version 1	04-12480
4	Switch – Red rocker, Main power.	10037-336
5	Fuse holder	10040-562
6	Fuse 5A 32mm/1.25"	10040-420
7	PSU Back Plate	05-12117
8	Screw M4 x 20mm Pozi Pan S/S	10004-036
9	Terminal block 5 way 40A	05-12368
10	Nut – M4 S/S	10010-004
11	Washer – M4 Shakeproof (internal)	10017-61
12	Washer – M4 Flat S/S	10017-05
13	Washer – M4 Shakeproof (external)	10017-72
14	PSU – V1 Complete assembly	03-12593
15	Circuit breaker 12A	10040-210
16	12v Switched mode PSU	10012-006
17	24v Switched mode PSU	10012-005
18	PSU DC Loom assembly v1	04-12616
19	Cable gland part	10021-12
20	Cable gland Nut	10021-13
21	Relay	10038-207
22	Nut M3 S/S	10010-003
23	Washer – M3 Shakeproof	10017-59
24	PSU AC Loom assembly	04-12177
25	Dispenser Fan Loom	04-12492
26	Auger Motors Loom	04-12469
27	Silicone insulator 8mm x 2mm x 35mm	10025-15



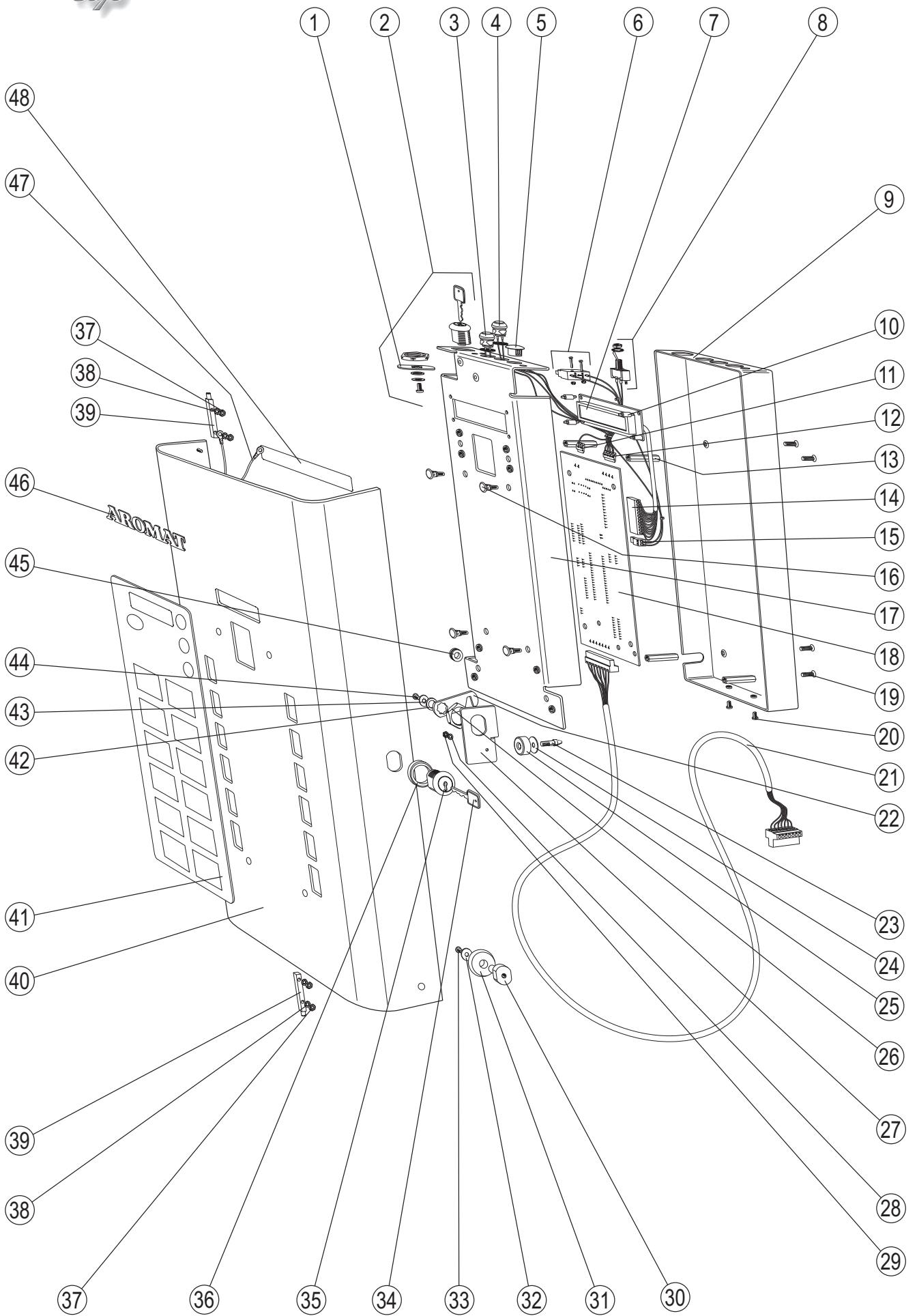
E Cup Stand and Drip Tray Assembly - A03 v.1

Ref	Description	Part No.
1	Drip tray insert (stepped)	05-12380
2	Drip tray	05-12343
3	Drip tray tie plate	05-12317
4	Drip tray bezel	05-12310
5	Screw M4 x 8mm	10004-022



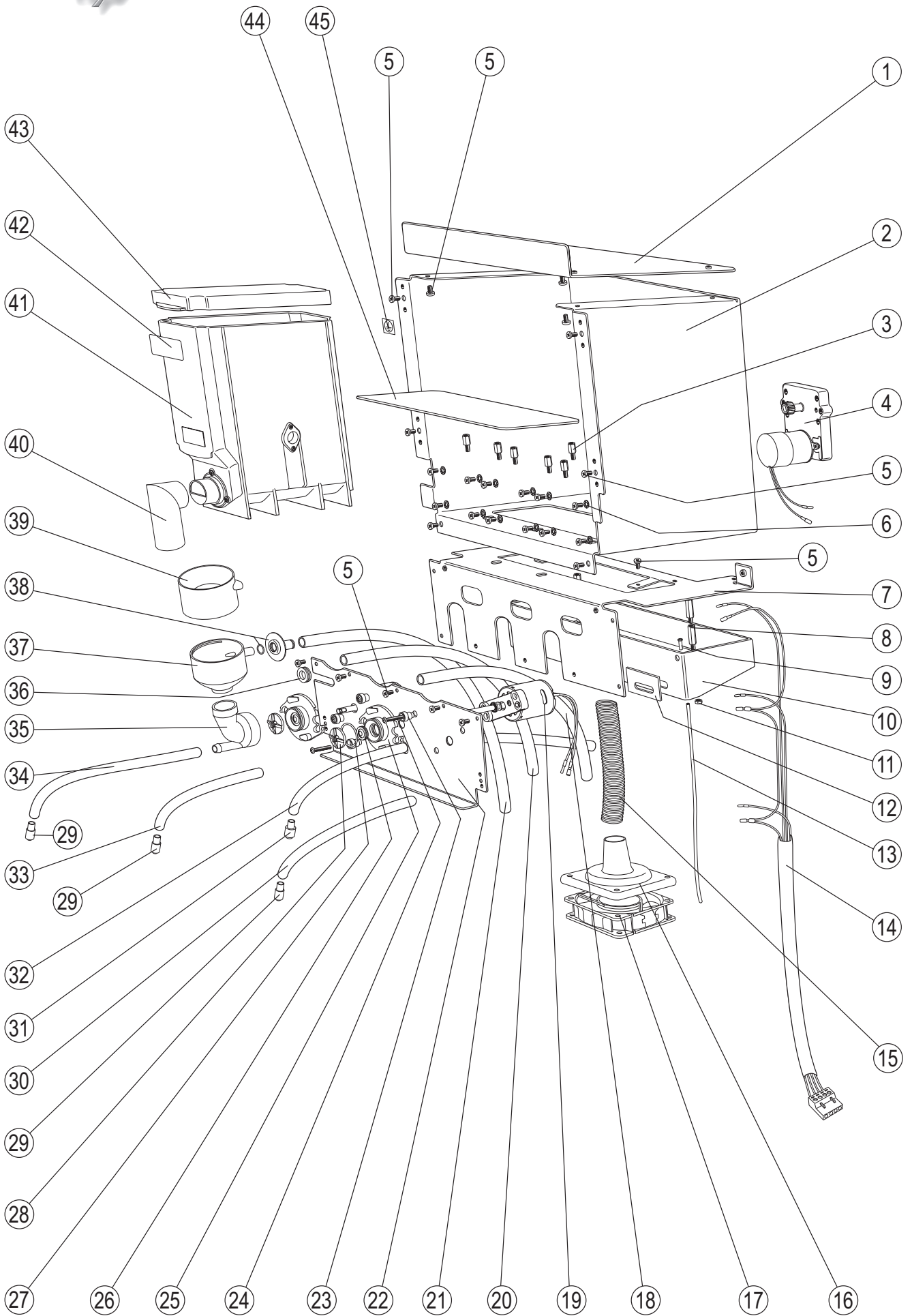
F Door Assembly - A03 v.1

Ref	Description	Part No.
1	Setup switch cam	05-12132
2	Setup mode keylock assembly	10047-315
3	Switch and washer assy – Orange 'Prime'	04-12699
4	Switch and washer assy – Green 'Flush'	04-12700
5	Blanking Plug	10016-014
6	Microswitch assembly 'Set up'	04-12701
7	Display LCD assembly with connector	04-12494
8	Switch - 'Standby mode'	04-12702
9	Selection PCB cover panel (V1)	05-12687
10	Plastic pillar	10049-420
11	Connector - Plug 2 way 3.81mm pitch	10044-920
12	Connector - Plug 4 way 3.81mm pitch	10044-930
13	Pillar – M3 F/F 20mm	10049-025
14	Connector - Plug 12 way - (supplied with 04-12494)	10044-972
15	Connector - Plug 2 way 3.81mm pitch	10044-920
16	PCB support 6.4mm	10016-003
17	Selection PCB back plate (V1)	05-12428
18	Selection PCB (V 1) c/w CPU & EEPROM	03-12481
19	Screw – M3 x 6mm CSK S/S	10001-028
20	Screw – M4 x 6mm Pozi Pan S/S	10004-031
21	Selection PCB Loom (Please provide dispenser serial No.)	
22	Door lock cam - Supplied as part of 10047-315	
23	Door location pin	05-12022
24	Rubber washer (Please provide dispenser serial No.)	
25	Magnet	10047-100
26	Lock nut - Supplied as part of 10047-315	
27	Magnet support plate	05-12009
28	Washer – M3 Shakeproof	10017-59
29	Nut - M3 S/S	10010-003
30	Door roller shaft	05-12366
31	Door roller	05-12367
32	Washer, nylon	10016-121
33	Screw - M4 x 8mm Pozi Pan S/S	10004-032
34	Key - Door lock	10047-202
35	Door lock c/w key, cam and fixings assy	10047-315
36	Lock collar	05-12128
37	Nut - M3 S/S	10010-003
38	Washer – M3 Shakeproof	10017-59
39	Door hinge	05-12126
40	Door panel	05-12241
41	Membrane key pad Black & Gold	05-12260BLACK
	Blue & Gold	05-12260BLUE
42	Washer - Supplied as part of 10047-315	
43	Star Washer - Supplied as part of 10047-315	
44	Nut - Supplied as part of 10047-315	
45	Grommet	10021-023
46	AROMAT Logo	05-12487
	Maxwell House (2 part) Logo	05-12680
47	Earth wire (door)	05-5246
48	Label – Setup Flush etc. part of label set	05-12418



G Powder Dispenser and Whipper Assembly - A03 v.1

Ref	Description	Part No.
1	Canister box top cover	05-12160
2	Canister box	05-12155
3	Auger canister stop	10049-215
4	Auger motor	04-12086
5	Screw M4 x 8mm Pozi Pan S/S	10004-032
6	Washer – M4 flat	10017-05
7	Water plate – Powder	05-12152
8	Pillar M4 x 19mm	10049-421
9	Plastic bush	10016210
10	Vacuum box	05-12609
11	Nut – M4	10010-004
12	Vacuum box seal	05-12449
13	Silicone tube - 4 x 1 x 380mm	10025-02
14	Wiring loom – Whipper motors (advise dispenser serial number when ordering).	04-12464
15	Flexible conduit 25mm x 225mm	10021-025
16	Vacuum fan housing	05-12350
17	Vacuum fan 24vdc	04-12113
18	Silicone tube 8mm x 3mm (x 280mm)	10025-21
19	Whipper motor assembly	04-12092
20	Silicone tube 8mm x 3mm (x 300mm)	10025-21
21	Silicone tube 8mm x 3mm (x 395mm)	10025-21
22	Whipper plate	05-12265
23	Whipper base 'mushroom' fixing	10016-114
24	Screw - Taptite	10007-002
25	Whipper base c/w red seal and 'O' ring	10016-006
26	Red silicone, whipper motor shaft seal	10016-013
27	Whipper base 'O' ring seal	10016-009
28	Whipper disk impellor	10016-007
29	Nozzle outlet tube - 4.8mm bore	05-12371
30	Silicone tube 4.8mm x 3.2mm (x 110mm)	10025-05
31	Nozzle outlet tube – 7.5mm bore	05-12370
32	Silicone tube 8mm x 3mm (x 510mm)	10025-21
33	Silicone tube 4.8mm x 3.2mm (x 170mm)	10025-05
34	Silicone tube 4.8mm x 3.2mm (x 225mm)	10025-05
35	Whipper chamber – conical with cut out	10016-008
36	Grommet	10021-023
37	Whipper mixing funnel	10016-36
38	Whipper water fitting for mixing bowl	10016-115
39	Whipper steam trap	10016-112
40	Auger central chute	10016-113
41	Auger canister 78mm wide (standard) c/w lid	10016-117
42	Auger product label.(Specify wording on order)	No number
43	Auger canister lid, spare part only	10016-558
44	Vacuum box cover	05-12159
45	Label – Earth point	10051-023





Dass Manufacturing Ltd.
SBC House, Restmor Way, Wallington, Surrey, SM6 7AH, England.
Tel: +44 (0)208 401 1511 • Fax: +44 (0)208 669 9529
e-mail: support@aromat-uk.com • web site: www.aromat-uk.com